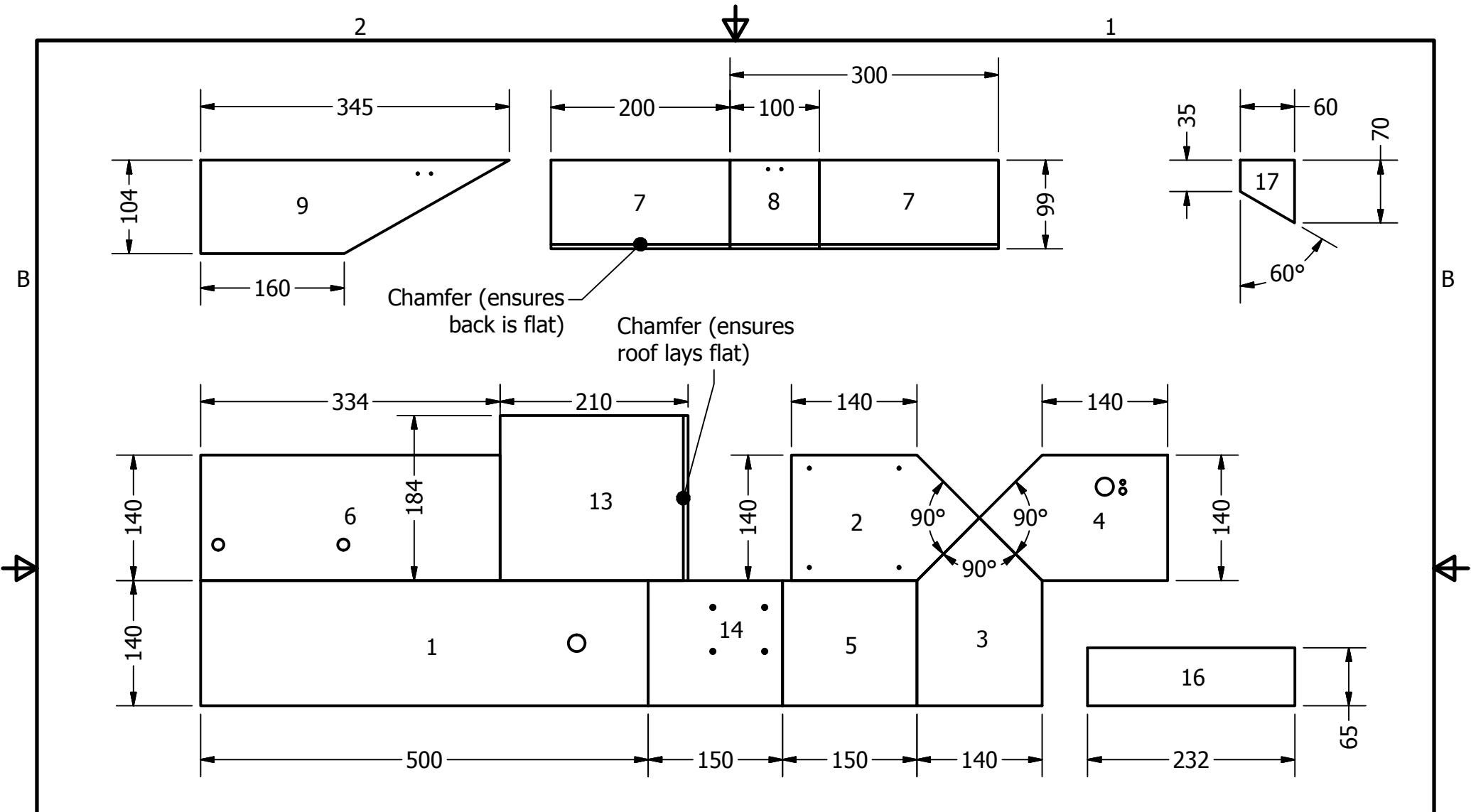


PARTS LIST		
ITEM	QTY	PART NUMBER
1	1	Bottom
2	1	Left Wall
3	1	Right Wall
4	1	Camera Wall
5	1	Box Face
6	1	Back Wall
7	2	Roof Back
8	1	Roof Flap
9	1	Roof Front
10	2	Window Base
11	2	Window Side
12	1	Solid_Mirror
13	1	Longitudinal Partition
14	1	Box Face Back
15	2	Mounting Dewel
16	1	Ramp
17	1	Detector Separator

DRAWN Ted Pudlik	11/30/2014	Paparazzi Bird Feeder	
		TITLE Assembly View	
SIZE A	DWG NO 2014-11-29	REV	
SCALE 1:6	SHEET 1 OF 6		

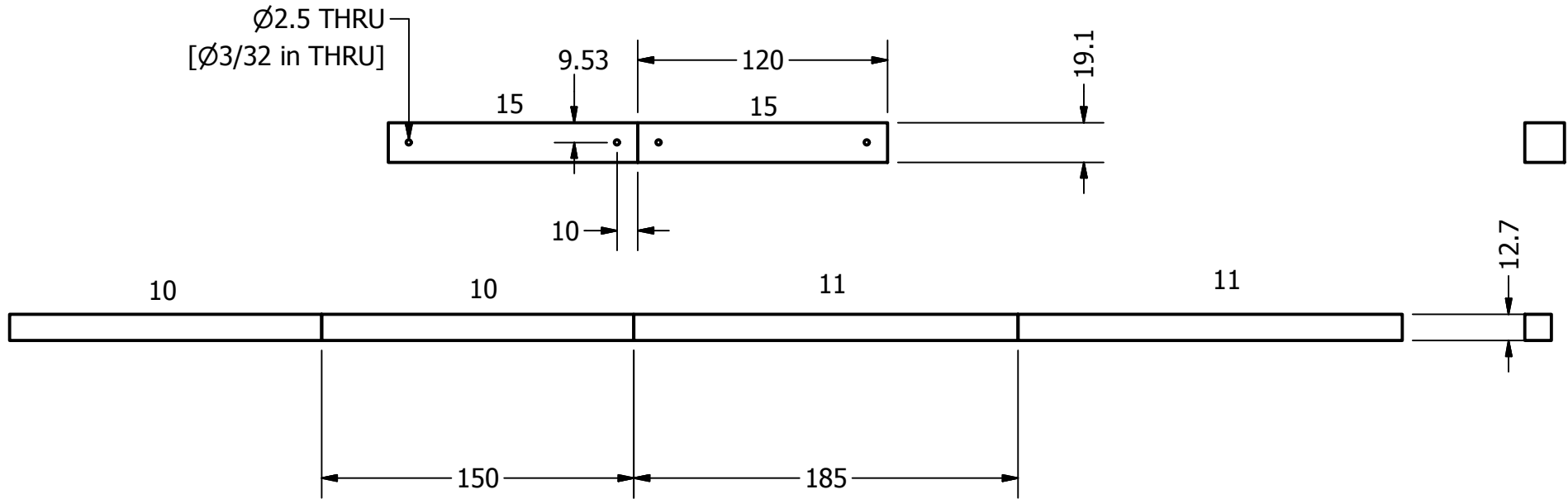


For description of holes and chamfers, see following detail drawings.

This drawing does not account for the saw's kerf.

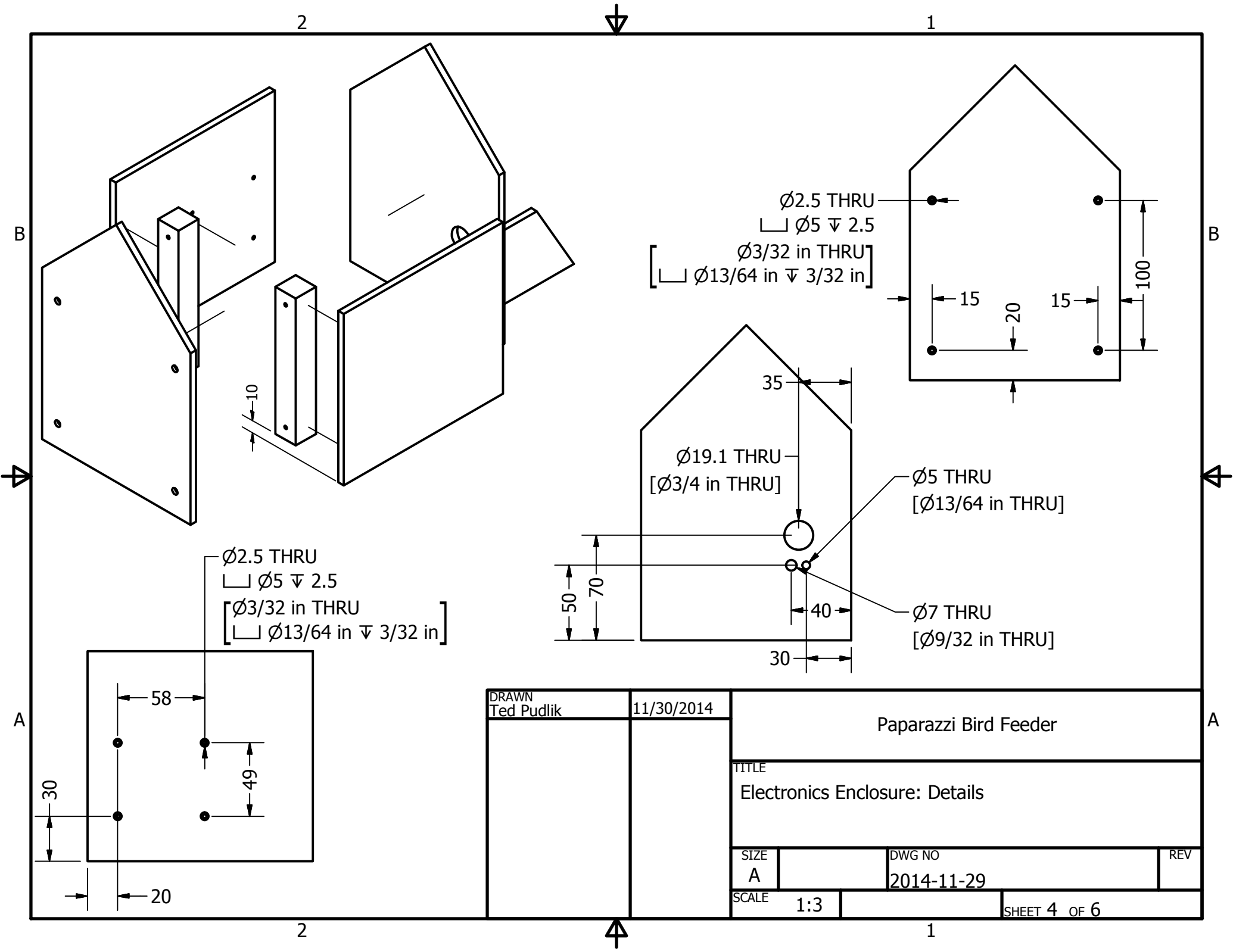
DRAWN Ted Pudlik		11/30/2014		Paparazzi Bird Feeder	
TITLE Guide to cutting panels out of a 4x2 ft board					
SIZE A	DWG NO 2014-11-29			REV	
SCALE 1:6				SHEET 2 OF 6	

These holes are best drilled after gluing the dewels in, to guarantee they line up with the holes on the enclosure wall.



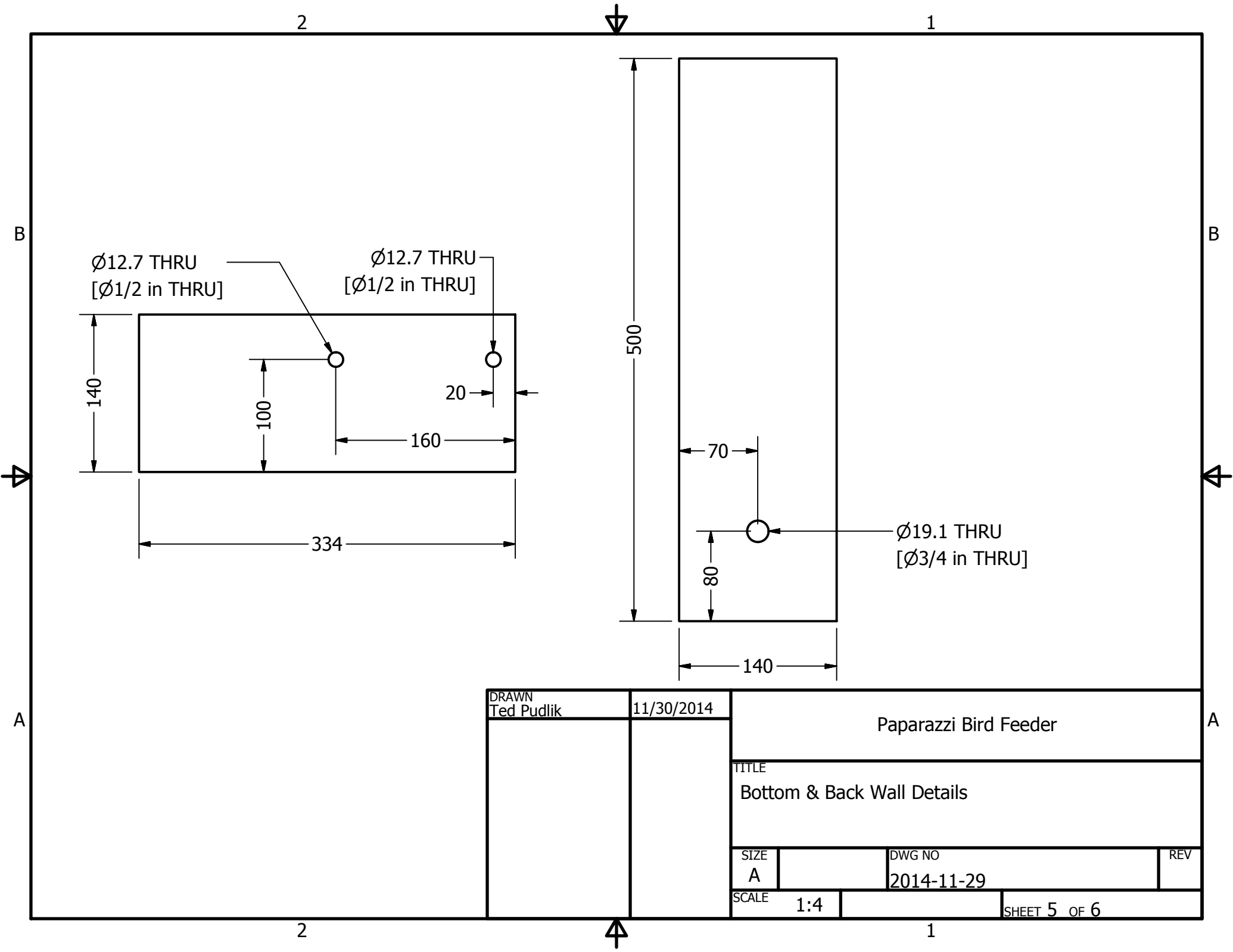
DRAWN Ted Pudlik	11/30/2014

Paparazzi Bird Feeder		
TITLE Dewel cuts		
SIZE A	DWG NO 2014-11-29	REV
SCALE 1:3	SHEET 3 OF 6	



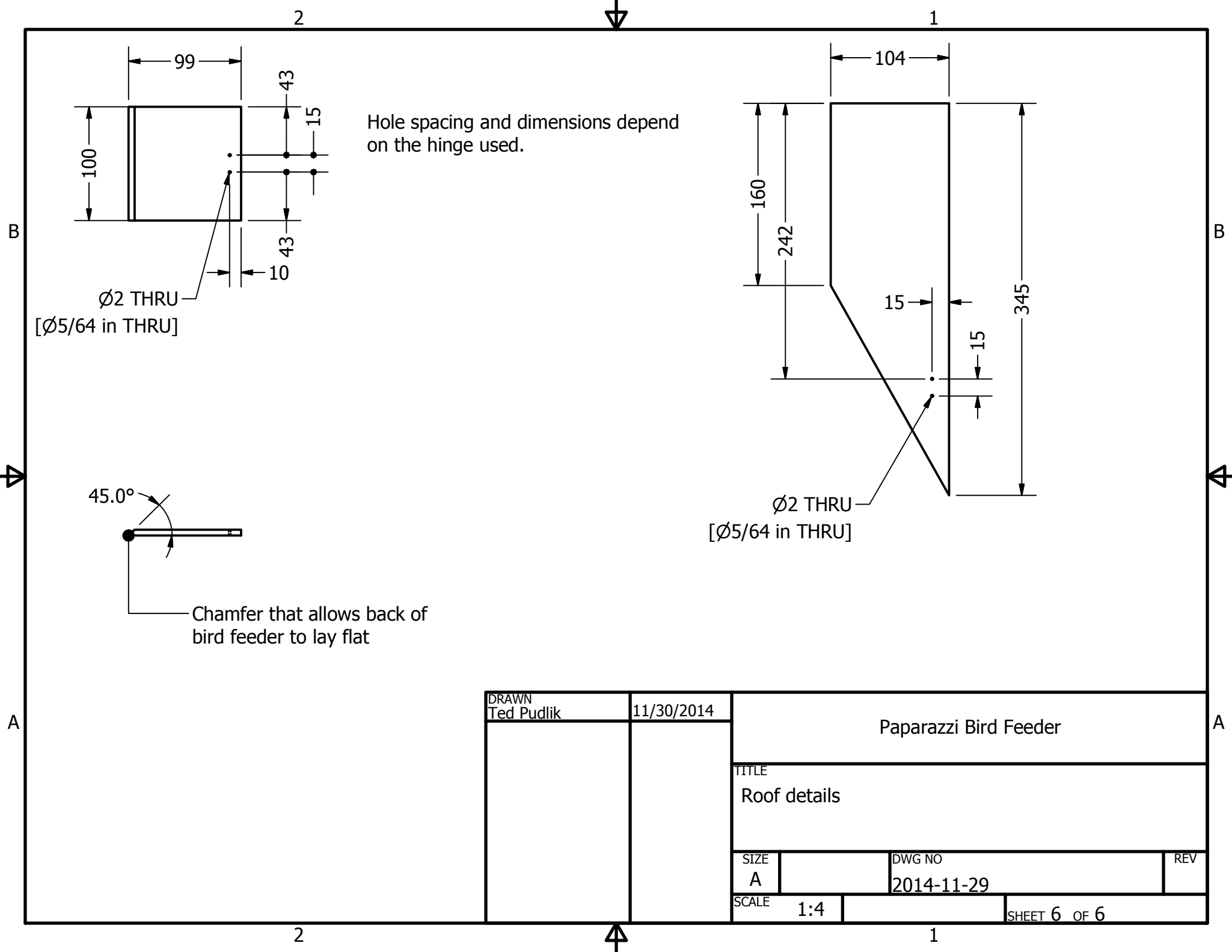
DRAWN Ted Pudlik	11/30/2014

Paparazzi Bird Feeder		
TITLE Electronics Enclosure: Details		
SIZE A	DWG NO 2014-11-29	REV
SCALE 1:3	SHEET 4 OF 6	



DRAWN Ted Pudlik	11/30/2014

Paparazzi Bird Feeder		
TITLE Bottom & Back Wall Details		
SIZE A	DWG NO 2014-11-29	REV
SCALE 1:4	SHEET 5 OF 6	



Hole spacing and dimensions depend on the hinge used.

Ø2 THRU
[Ø5/64 in THRU]

Ø2 THRU
[Ø5/64 in THRU]

45.0°

Chamfer that allows back of bird feeder to lay flat

DRAWN Ted Pudlik		11/30/2014		Paparazzi Bird Feeder		
						TITLE Roof details
				SIZE A	DWG NO 2014-11-29	REV
				SCALE 1:4	SHEET 6 OF 6	